

## MAGNETIC CATCH



## MC-YN001, MC-YN001P



### Features

- 2.2mm ultra thin magnetic catch operates well even in tight spaces.
- Very strong neodymium magnet

### Remarks

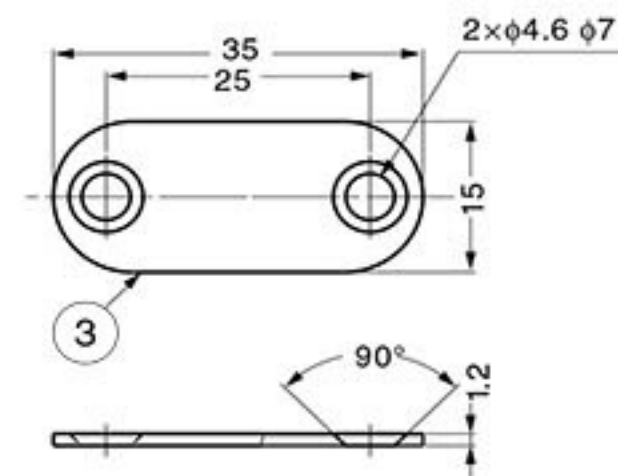
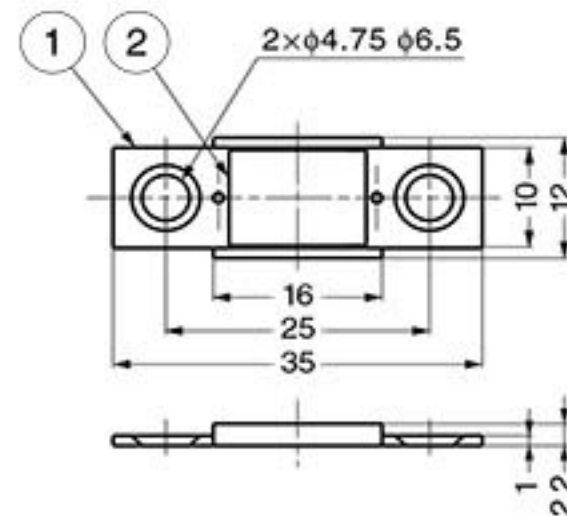
Max. temperature: 80°C

### Parts Included (MC-YN001P)

Countersunk head tapping screw 3x14

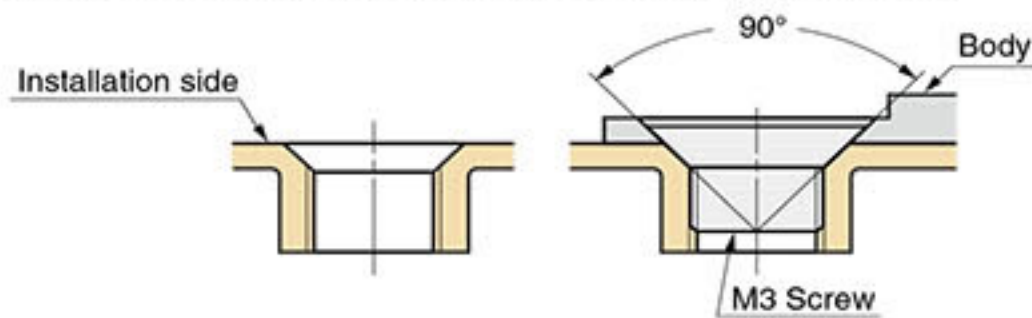
### Recommended Screw

Countersunk head screw M3 or Countersunk head wood screw nominal 3.1



Counter plate: MC-YN001U (P.273)

### Cut Out Dimensions and Installation Example



No.	Part Name	Material	Finish
①	Body	Steel	Nickel
②	Magnet	Neodymium	Nickel
③	Counter Plate	Steel	Nickel

Item Code	Item Name	Type	Magnetic Force	Weight	Box	Carton
140-050-257	MC-YN001	Magnetic catch only	26.5 N	2.7 kgf	4.0 g	100 pcs / 2,000 pcs
140-050-000	MC-YN001P	Magnetic catch·Strike Plate & Screws	26.5 N	2.7 kgf	7.5 g	100 pcs / 2,000 pcs